

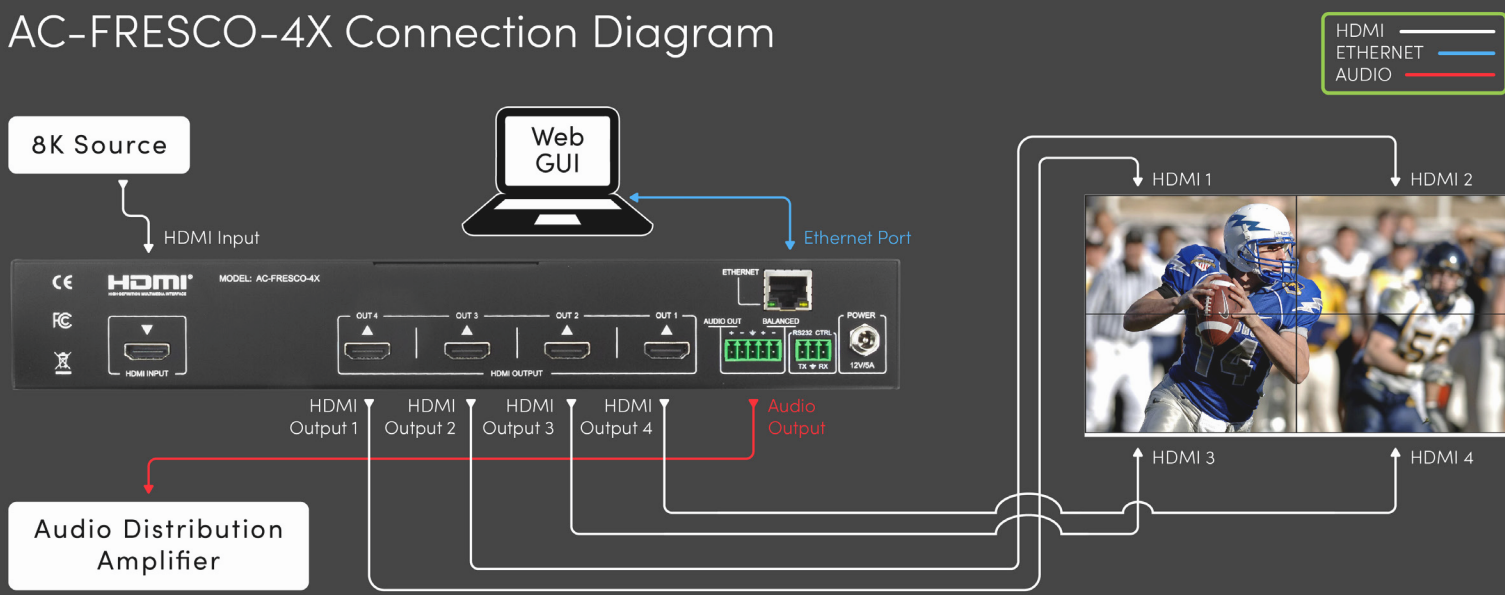


48 Gbps 8K 4x4 HDMI Matrix & Video Wall Processor

AC-FRESCO-4X

Transform video walls into immersive 8K HDR Esports arenas or 50-yard line 4K HLG seats with AVPro Edge's AC-FRESCO-4X, a 2x2 videowall processor designed for next-gen entertainment experiences. Full 8K Ultra HD 48 Gbps bandwidth enables even the largest videowalls to display images in higher resolution and with HDR's dimensionally deeper sense of immersion at greater distances, and it ensures the AC-FRESCO-4X's longevity during the evolution of the 8K format. For new installations or retrofit updates, the easy-to-use, high-performance 8K AC-FRESCO-4X will become your videowall's best friend!

AC-FRESCO-4X Connection Diagram



PRODUCT SPECIFICATIONS

VIDEO INPUT	
Video Resolutions	Up to 8K/60 Hz 4:2:0, / 4K/120 Hz 4:4:4
HDR Formats	HDR10, HLG
Color Space	YUV (Component), RGB (CSC: ITU-R BT.601, ITU-R BT.709, ITU-R BT.2020, DCI-P3 D65)
Chroma Subsampling	4:4:4, 4:2:2, 4:2:0
Deep Color	Up to 16-bit
Scaling	Auto, Force 4K, Force 1080p
HDCP	HDCP 2.3 and Earlier
VIDEO OUTPUT	
Video Resolutions	Up to 4K/60 Hz
HDR Formats/Resolutions	HDR10, HLG
Color Space	YUV (Component), RGB (CSC: ITU-R BT.601, ITU-R BT.709, ITU-R BT.2020, DCI-P3 D65)
Chroma Subsampling	4:4:4, 4:2:2, 4:2:0
Deep Color	Up to 16-bit
Scaling	Auto, Force 4K, Force 1080p
HDCP	HDCP 2.3 and Earlier
AUDIO	
Audio Formats Supported HDMI	PCM 2.0-Ch., LPCM 5.1 & 7.1, Dolby Digital, Dolby Digital Plus, Dolby TrueHD, Dolby Atmos, DTS 5.1, DTS-HD Master Audio, DTS:X
Audio Formats Supported Extracted (2-Ch. Port)	PCM 2.0-Ch.
DISTANCE	
HDMI In/Out	Up to 13 ft. (8K/30 Hz) or 49 ft. (4K/120 Hz)**
HDMI In/Out (w/ AOC Cable)	Up to 130 ft. (4K/60 Hz, 18 Gbps AOC)**
Control	
Front Panel	LCD Screen with 4-button navigation
Ports	LAN, RS-232, USB Type-C
Web Interface	Yes
PORTS	
HDMI	Type-A
LAN	RJ45 w/ Web Interface
Audio (Extracted Analog)	5-Pin Euroblock Terminal (Balanced)
RS-232	3-Pin Euroblock Terminal
ISP/CTL	USB Type-C
ENVIRONMENTAL	
Operating Temperature	23° to 125° F (-5° to 51° C)
Storage Temperature	-4° to 140° F (-20° to 60° C)
Humidity Range	5% to 90% RH (No Condensation)
POWER	
Power Consumption (Total)	40 W Maximum
Power Supply	"Input: 100-240 VAC ~ 50/60 Hz Output: 12 VDC, 5 A"
PHYSICAL / DIMENSIONS	
Mounting	1-RU Rack Mounting Brackets Rubber Feet
Dimensions (Unit Length/Width/Height)	mm: 136.652 X 295.402 X 45.212 inches: 5.38 X 11.625 X 1.781
Dimensions (Packaged Length/Width/Height)	mm: 219.075 X 388.950 X 65.1 inches: 8.625 X 15.313 X 2.563
Weight (Unit)	2.875 lbs. (1.3041 kg)
Weight (Packaged)	4.394 lbs. (1.9931 kg)
Regulatory	CE/FCC
Product Warranty	10 Years

*Specifications subject to change without notice. Mass & dimensions are approximate **Distances achieved with Bullet Train HDMI and AOC cables

KEY FEATURES

- Full 8K Ultra HD Uncompressed 48 Gbps with HDR and HLG** - The AC-FRESCO-4X is fully compatible with all specified ITU 8K timings and bit rates. Its capabilities are future-forward through the complete evolution of the 8K format, making it a unique, invest-once product.
- VRR Reclocking** - Variable Refresh Rates between 40 fps and 120 fps can be reclocked to a fixed output rate to maintain compatible videowall synchronization between next-gen game consoles and legacy display technologies, ensuring stable video performance.
- Web Interface and Front Panel Navigation** - Setting up the AC-FRESCO-4X is easy and straightforward. EDID and network settings are quickly accessible from the front panel OLED display. Videowall layout for easy plug-and-play deployment and unit maintenance is easily manageable via the intuitive, included Web interface.
- Scaling, Cropping, and Bezel Compensation** - Resolution scaling, cropping, and bezel compensation adjustment are available from the built-in Web interface.
- EDID management** - Resolve EDID issues with preloaded and custom options. Ideal for legacy videowalls that may have mixed-generation display panels.
- Audio de-embedding** - HDMI input audio can be de-embedded for multi-zone distribution or external multimedia processing.

